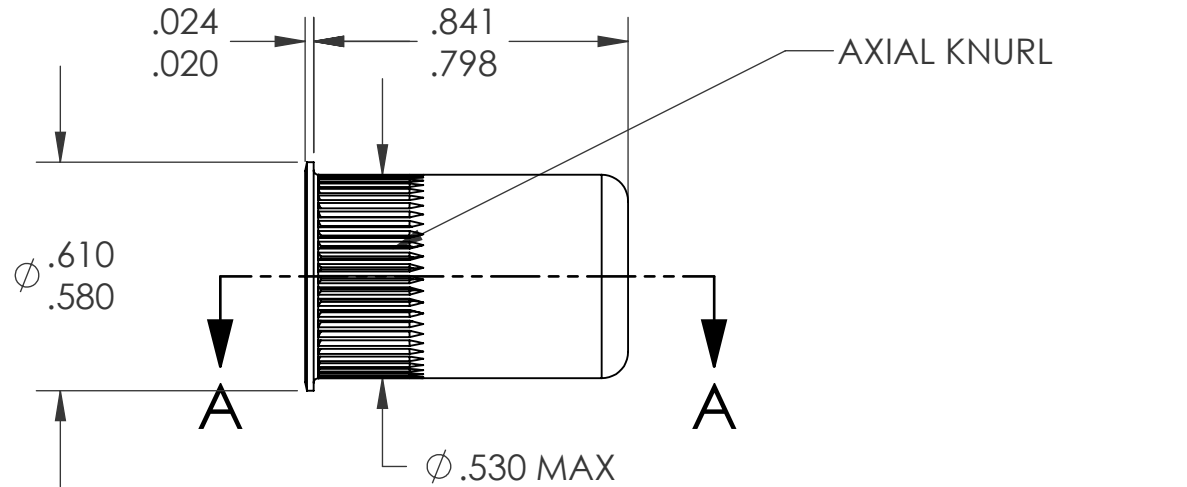
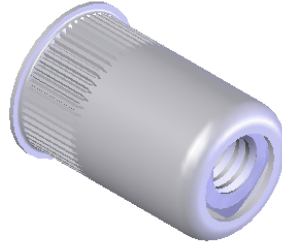
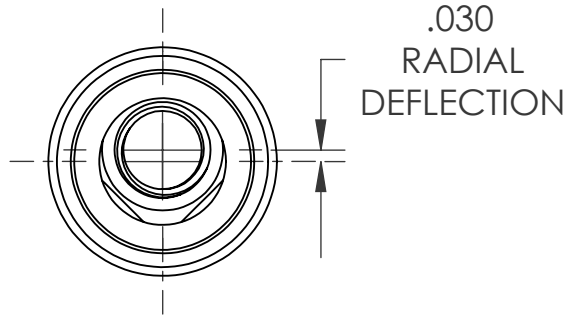


| REVISIONS | | | |
|-----------|--------------------|---------|------|
| REV. | DESCRIPTION | DATE | ECN |
| A | INITIAL RELEASE | 11/3/08 | 1107 |
| B | CHANGED ANVIL SIZE | 2/6/09 | 1144 |



SECTION A-A

NOTE:

- GRIP RANGE: .027 - .150
- HOLE SIZE: $\phi .531 +.006/-.000$ AFTER ALL APPLIED FINISHES.
- INSTALLED LENGTH: .630 REF.
- INSTALLED THREAD DEPTH: N/A
- LUBRICATION: NONE
- INSTALLATION TOOL: MS 50 (ANVIL - MA-161-2520RF)

U.S. PATENT NO. 7,713,011

PROPRIETARY AND CONFIDENTIAL

THIS DRAWING, AND THE INFORMATION CONTAINED HEREIN, ARE THE PROPERTY OF SHEREX AND ARE NOT TO BE USED IN ANY MANNER DETRIMENTAL TO THE INTEREST OF THE COMPANY.
SHEREX SOLUTIONS RESERVES THE RIGHT TO REVISE PART/DRAWING WITHOUT NOTICE.

| | | | | |
|-----------|-------------|--|-------------------------|-------------|
| | | UNLESS OTHERWISE SPECIFIED: | NAME | DATE |
| | | DIMENSIONS ARE IN INCHES TOLERANCES: ANGULAR: MACH ± 1 BEND ± 1 TWO PLACE DECIMAL ± .01 THREE PLACE DECIMAL ± .005 | DRAWN | JVK 11/3/08 |
| | | INTERPRET GEOMETRIC TOLERANCING PER: ASME Y14.5M-1994 | CHECKED | |
| | | MATERIAL | ENG APPR. | JVK 11/3/08 |
| | | BODY: C1008/1010 NUT: MED. CARBON STEEL | MFG APPR. | AP 11/13/08 |
| | | FINISH | Q.A. | |
| | | BODY & NUT: ZINC PLATE W/CLERH TRIVALENT CHROMIATE RoHS COMPLIANT; 8-12 um | COMMENTS: | |
| NEXT ASSY | USED ON | | E-mail: info@sherex.com | |
| | | | www.sherex.com | |
| | | | Phone: 866-474-3739 | |
| | | | Fax: 716-875-0358 | |
| | APPLICATION | DO NOT SCALE DRAWING | | |



TITLE:

SMALL FLANGE RIV-FLOAT

SIZE DWG. NO.

A RFK2-2520-150

REV

B

SCALE: 2:1 WEIGHT: .0111 kg

SHEET 1 OF 1